

TEAC

SERVICE MANUAL

AG-H300

AV Digital Surround Receiver

NOTES

- PC boards shown are viewed from parts side.
- The parts with no reference number or parts number in the exploded views are not supplied.
- As regards the resistors and capacitors, refer to the circuit diagrams contained in this manual.
- ⚠ Parts marked with this sign are critical components. They must be replaced with identical components - refer to the appropriate parts list and ensure exact replacement.
- Parts of [] mark can be used only with the version designated.
[J] : JAPAN [US] : U.S.A. [C] : CANADA
[E] : EUROPE [UK] : U.K. [GE] : GENERAL EXPORT

CONTENTS

- SPECIFICATION
- MEASUREMENTS AND ADJUSTMENTS
- PIN FUNCTION
- WIRING DIAGRAM
- BLOCK DIAGRAM.....
- SCHEMATIC DIAGRAM
- PRINTED CIRCUIT BOARDS
- EXPLODED VIEW.....
- ELECTRICAL PARTS LIST

Specifications

AMP Section

Power output	: 35 W+35W (8Ω, 1kHz, 0.5%)
Total harmonic distortion	: 35 W+35W (40W, 1kHz, 8Ω)
S/N Ratio(inout Short)	:
Phono	: 60dB(IHF-A)
CD, Tuner, Aux, Tape	: 90dB(IHF-A)
Input Sensitivity/Impedance	:
Phono(MM)	: 2.5mV/47kΩ
CD, Tuner, Aux, Tape	: 200mV/47kΩ
Channel Separation	: 60dB
(Input Short)	: (1kHz, 1W, B.P.F)
Residual noise	: 60mV
Frequency response	: 20Hz to 65kHz
Tone control	:
Bass	: ±10dB(100Hz)
Treble	: ±10dB(100Hz)
Required speaker impedance	: 8Ω to 16Ω
General	
Power Requirements	: 230V AC, 50Hz[EUR] 120V AC, 60Hz[T/C]
Power Consumption	: 85W
Dimensions(W x H x D)	: 215 x 110 x 307
Weight(net)	: 4Kg

FM Section

Tuning Rane	: 87.50MHz~ 108.00MHz (50kHz steps)[EUR] 76.0MHz~ 90.0MHz (100kHz steps)[DM] 87.50MHz~ 108.00MHz (100kHz stepe)[T/C]
Usable Sensitivity(IHF)	: Mono:15dBf
50dB Quieting Sensitivity	:
Mono	: 30dBf
Stereo	: 40dBf
Image Reiection Ratio	: 40dBf
Frequency Response	: 30Hz~ 15kHz +0.5dB/-3dB
Distortion(1kHz)	:
Mono	: 0.4%
Stereo	: 0.5%
Signal-to-Noise Ratio(at 65dBf, 1kHz)	..
Mono	: 65dB
Stereo	: 60dB
AM suppression Ratio	: 40dB
Stereo Separation(1kHz)	: 30dB

AM Section

Tuning Rane	: 522kHz~ 1620kHz (9kHz steps)[EUR/DM] 530MHz~ 1720MHz (10kHz steps)[T/C] 87.50MHz~ 108.00MHz
Usable Sensitivity	: 55dB/m
Distortion(1kHz)	: 1.5%
Signal-to-Noise Ratio	: 35dB

Standard accessories

Remote control unit	: 1
Operator's manual	: 1
AM Loop Antenna	: 1
FM Antenna	: 1
FM Matching Transformer	: 1 (T/C)

MEASUREMENTS AND ADJUSTMENTS

ALIGNMENT INSTRUCTIONS

EQUIPMENT NEEDED:

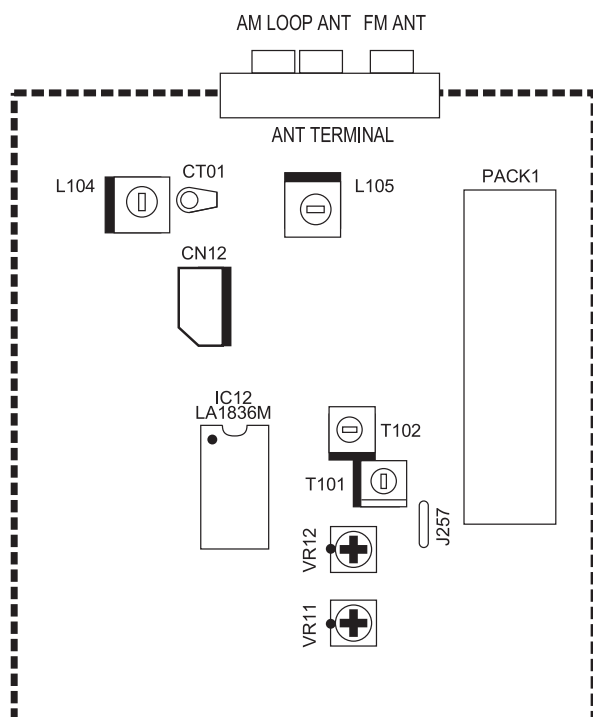
- AM Signal Generator
- FM Signal Generator
- Oscilloscope
- VTVM(AC, DC)
- Test loop antenna (AM Adjustment)
- Dummy antenna (FM Adjustment)
- Distortion analyser

IMPORTANT

1. Check power-source voltage.
2. Set the function switch to band aligned.
3. Keep the signal input as low as possible to adjust accurately.
4. Modulation and modulation frequency.

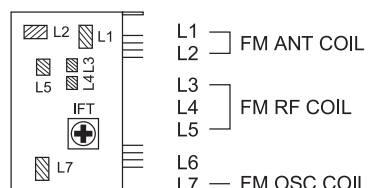
Band \ Item	Modulation	Modulation frequency
AM	30%	400Hz
FM	100% (40 kHz Dev.) (ERR) 100% (75 kHz Dev.) (T/C)	400Hz

ADJUSTMENT POINT

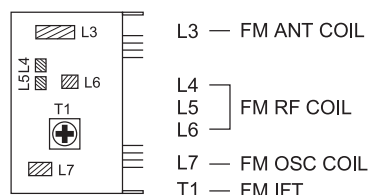


<PACK DETAIL>

(FOR EUR version)



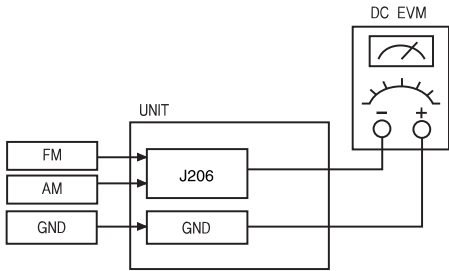
(FOR T/C version)



- CT01 — AM ANT TRIMMER (1503kHz/1510kHz)
- L104 — AM ANT COIL
- L105 — AM OSC COIL
- T101 — FM DETECTOR COIL
- T102 — AM IFT COIL (612kHz/610kHz)
- VR11 — FM SD ADJUSTMENT
- VR12 — AM SD ADJUSTMENT
- VR13 — FM SEPARATION ADJ
- J257 — FM/AM VT
- CN12 — FM OFFSET ADJ TP

1. TUNING FREQUENCY RANGE ADJUSTMENTS

(FM) DC VOLTMETER CONNECT TO TEST POINT J206 and GND



[EUR]

NO.	Band	Frequency	Adjust for	Adjustment
1	FM	87.50MHz	1.6V	L7
2	AM	522 kHz	1V	L105

[TC]

NO.	Band	Frequency	Adjust for	Adjustment
1	FM	87.50MHz	1.6V	L7
2	AM	522 kHz	1V	L105

2. AM TRACKING ADJUSTMENT

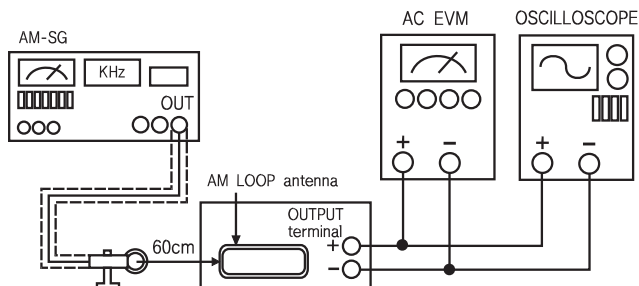
Signal Generator Connects to the AM ANT. Coil through the loop antenna.
Adjust for the indication of VTVM of the wave form of scope to be maximum.

[EUR]

BAND	Step	Frequency	Adjust for	Adjustment
AM	1	612 kHz	Maximum sensitivity	T102, L104
	2	1503 kHz	Maximum sensitivity	CT01
	3	Repeat steps 1 and 2 several times.		

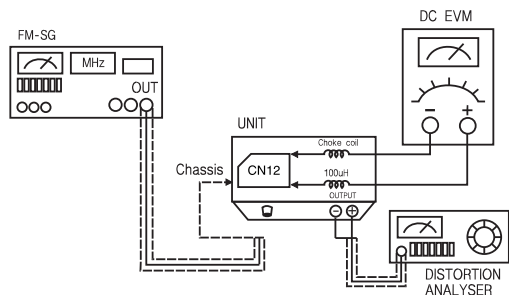
[TC]

BAND	Step	Frequency	Adjust for	Adjustment
AM	1	612 kHz	Maximum sensitivity	T102, L104
	2	1503 kHz	Maximum sensitivity	CT01
	3	Repeat steps 1 and 2 several times.		



3. FM MONO DISTORTION ADJUSTMENT

- DC VOLT METERConnect to CN12 through the chock coil (100uH).
 Signal GeneratorConnect to FM ANT Jack (FM IN) through the dummy.
 Distortion MeterConnect to the output.



[EUR]

NO.	Frequency	Adjust for	Adjustment
1	100.10MHz	DC Voltmeter 0V	T101
2	100.10MHz	Minimum T.H.D	T101
3	Repeat steps 1 and 2 several times.		

4. FM/AM AUTO STOP LEVEL ADJUSTMENT

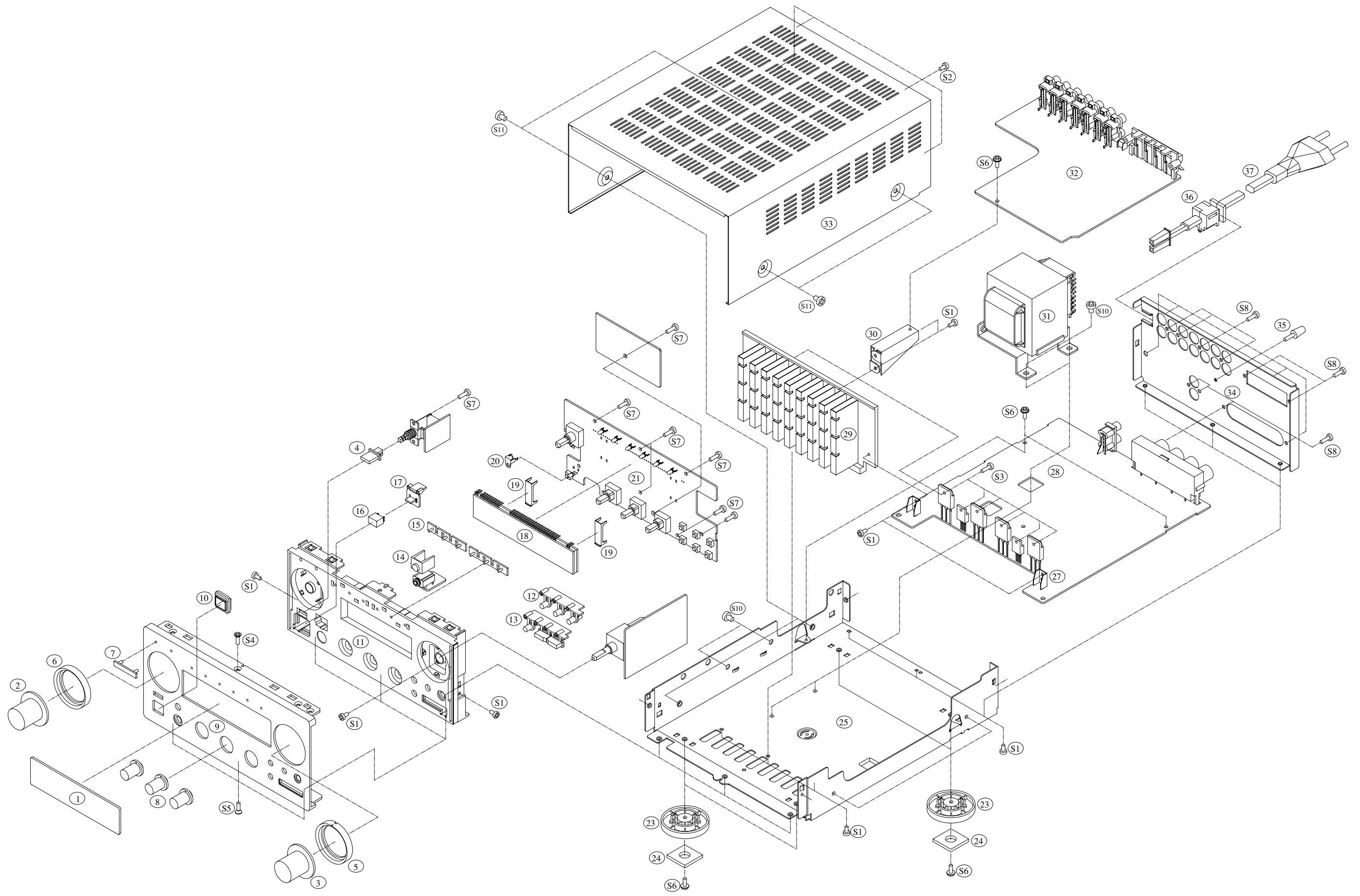
- FM Signal Generator.....Connect to FM ANT Jack (FM IN) through the dummy.
 AM Signal Generator.....Connect to AM ANT. Coil through the Loop antenna.

[EUR , T/C]

BAND	Step	Signal Generator	Adjust for	Adjustment
FM	1	100.1MHz 30dB	<input type="checkbox"/> TUNED Display OFF	VR11
	2	100.1MHz 30dB	<input type="checkbox"/> TUNED Display ON	VR11
AM	1	999KHz 80dB	<input type="checkbox"/> TUNED Display OFF	VR12
	2	999KHz 80dB	<input type="checkbox"/> TUNED Display ON	VR12

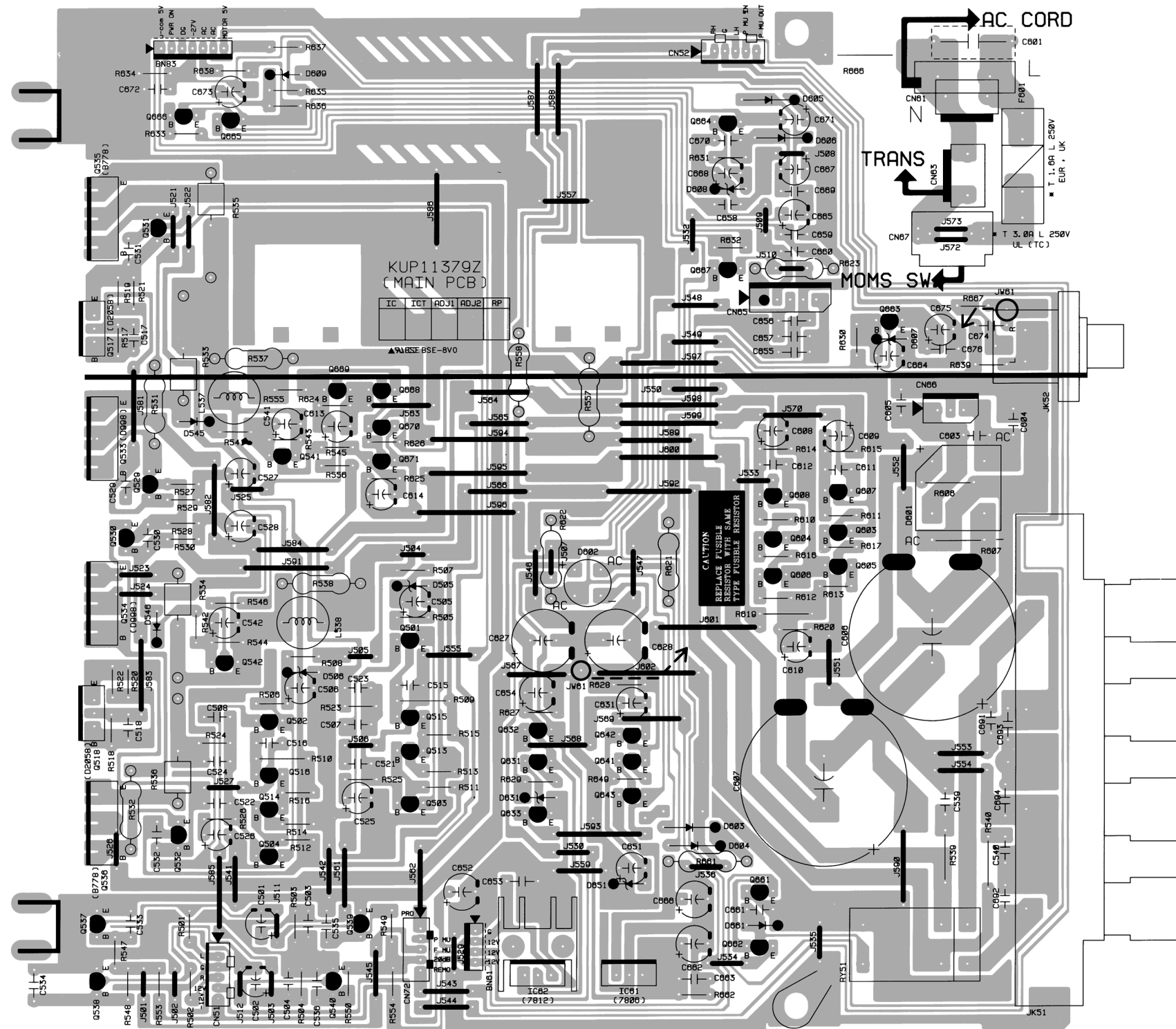
IC FUNCTION (Micom BVITMP87PM78F)

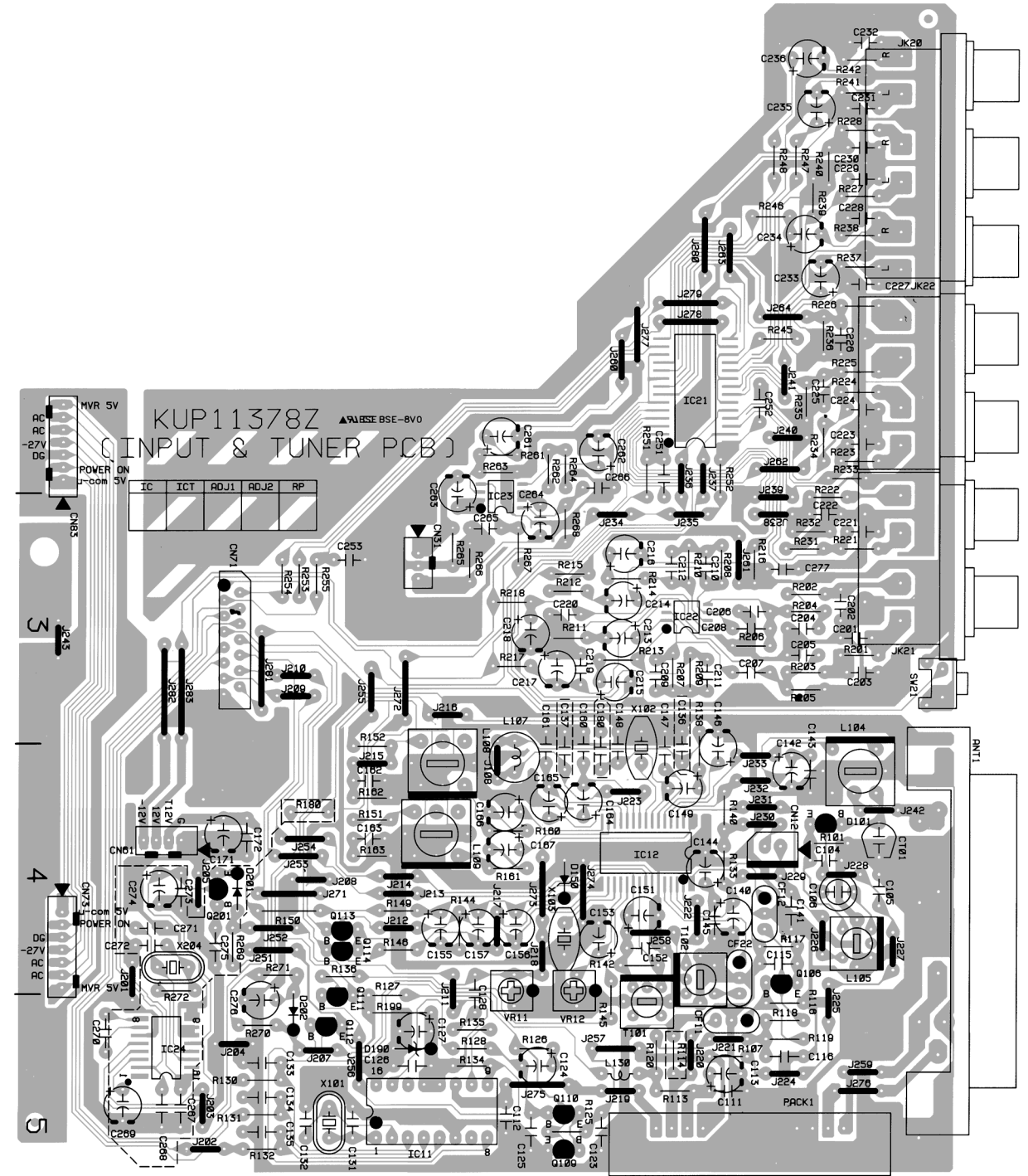
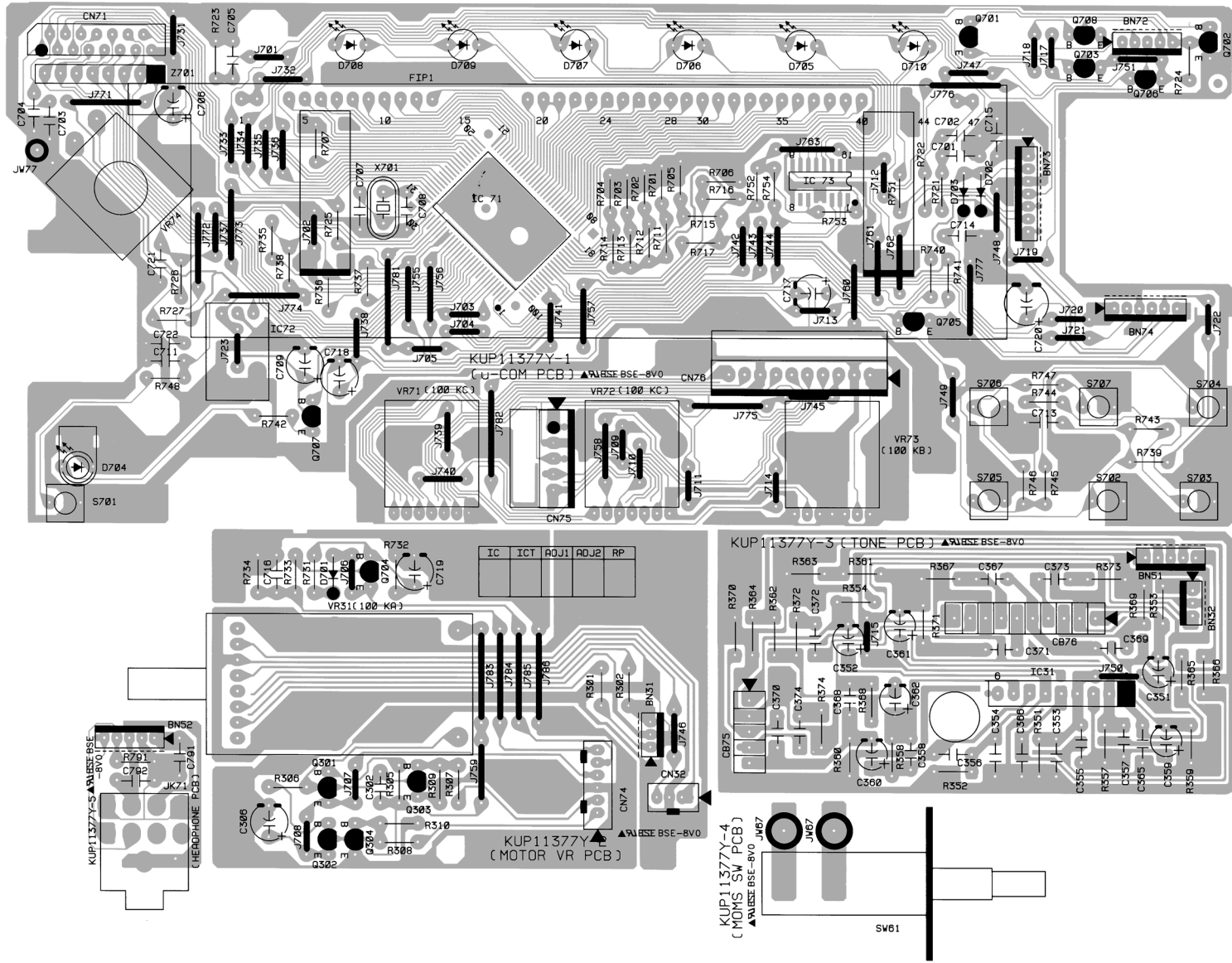
PIN No.	SYMBOL	I/O	DESCRIPTION
1	Vdd	I	+5V
2	NC	-	NO Connection
3	Func, Mute	O	Function Mute ON/OFF Output
4	NC	-	No Connection
5	Tuner-Nute	O	Tuner Mute Output
6	Stereo/Mono	O	Stereo/Mono Switching Output
7-9	Func, Indicator	O	Function LED Drive Data Output
10	NC	-	No connection
11	RDS-DATA	I	RDS DATA Output
12	FM-L	I	FM/AM Switching Output
13	RDS-CLK	I	RDS CLOCK input
14	Stereo-IN	I	Stereo Display input
15	Tuned-IN	I	Tuned Display input
16	Protect-IN	I	Protection input
17-21	Key Input	I	Resistor Divide Key Control Input
22	Vss	-	GND
23	Vass	-	GND
24	Varef	-	Vdd(+5V)
25	Vdd	-	+5V
26	Back-up	I	Backup Mode control
27	Vss	-	GND
28-29	Func, Up/Down	I	Function UP/DOWN INput
30	Vss	-	GND
31	XIN	I	Crstal element Connection Terminal
32	XOUT	O	Crstal element Connection Terminal
33	RESET	I	RESET Input
34	Remote-In	I	Remote Control Data Input
35	BUS OUT	O	System Control Signal Output
36	BUS IN	I	System Control Signal Input
37	SPK ON/OFF	O	Speker ON/OFF Output
38	NC	-	NO Connection
39	-20dB Mute	O	-20dB Mute Output
40	NC	-	No Connection
41	PLL CE	O	PLL Serial Chip Enable Output
42	PLL DATA	O	PLL Serial Data Output
43	PLL CLK	O	PLL Serial CLOCK Output
44	Option	O	Amp/Receiver Option
45	NC	-	No Connection
46	STB	O	Function IC Signal Output
47	CLK	O	Function IC Signal Output
48	DATA	O	Function IC Signal Output
49	NC	-	No Connection
50	Vkk	-	VFLP (-33V)
51-61	FIP GRID	O	FIP GRID Output
62-82	FIP ANODE	O	FIP ANODE Output
83-85	Option	O	Region Option
86	Option	O	Display Option
87	Option	O	RDS ON/OFF Option
88	Option	O	Model Option
89	Standby	O	Standby/ Direct Option Output
90	VOL OP	O	VOL UP
91	VOL DOWN	O	VOL DOWN
92	VOL LED	O	VOL LED Display
93	Power ON/Off	O	Power ON/OFF Output
94	Standby LED	O	Standby LED ON/OFF Output
95-100	NC		No Connection



EXPLODED VIEW LIST

REF. NO.	PARTS NO.	DESCRIPTION	REMARKS
1	9A08737500	WINDOW, FIP	
2	9A08738500	KNOB, VOLUME ASSY	
3	9A08738600	KNOB, VOLUME ASSY (A)	
4	9A07434300	KNOB, POWER [E, UK]	
5	9A08738800	ORNAMENT, FUNCTION	
6	9A08738700	ORNAMENT, FUNCTION	
7	9A06224200	BADGE, TEAC	
8	9A08737700	KNOB, ROTARY	
9	9A08739000	PANEL, FRONT (AL) [US, C]	
	9A08749300	PANEL, FRONT (AL) [E, UK]	
10	9A06863300	INDICATOR, STAND BY	
11	9A08738400	PANEL, FRONT	
12	9A08738000	KNOB, TACT	
13	9A08738100	KNOB, TACT	
14	9A08738300	WINDOW, SENSOR	
15	9A08738200	INDICATOR	
16	9A07287200	CAP, STANBY	
17	9A06862500	KNOB, STAND BY	
18	9A08034600	F. I. P	
19	9A07290000	BRACKET, FLT	
20	9A07290100	SUPPORT, LED	
21	9A08739100	FRONT PCB ASSY [US, C]	
	9A08739110	FRONT PCB ASSY [E, UK]	
23	9A06864400	FOOT	
24	9A05837300	FOOT CUSHION	
25	9A08741200	CHASSIS, BOTTOM	
27	9A07308700	BRACKET, PCB	
28	9A08741100	MAIN PCB ASSY [US, C]	
	9A08741110	MAIN PCB ASSY [E, UK]	
29	9A08745500	HEAT SINK	
30	9A08745400	BRACKET, PCB (H/T)	
31	△ 9A08741400	TRANS, POWER [US, C]	
	△ 9A08748800	TRANS, POWER [E, UK]	
32	9A08741000	TUNER PCB ASSY [US, C]	
	9A08741010	TUNER PCB ASSY [E, UK]	
33	9A08737800	CABINET, TOP	
34	9A08740900	PANEL, REAR [US, C]	
	9A08749500	PANEL, REAR [E, UK]	
35	9A05917200	GROUND TERMINAL	
36	△ 9A06754900	BUSHING, AC CORD	
37	△ 9A08043100	CORD, POWER [US, C]	
	△ 9A08164400	CORD, POWER [E]	
	△ 9A08749400	CORD, POWER [UK]	
F601	△ 9A07007000	FUSE [US, C]	
F601	△ 9A05353400	FUSE, F1.6A [E, UK]	





MAIN PCB ASSY

REF. NO.	PARTS NO.	DESCRIPTION
	9A08741100	MAIN PCB ASSY [US, C]
	9A08741110	MAIN PCB ASSY [E, UK]
	9A08742300	PCB, MAIN
	9A07308700	BRACKET, PCB
	9A08745400	BRACKET, PCB (H/T)
	9A08745500	HEAT SINK
	9A05333900	PLATE, EARTH
	9A05333500	HEAT SINK
CN51, CN52	9A05356400	WAFER, MOLEX53014-0510
CN61	9A06674400	WAFER [US, C]
CN61	9A06538200	WAFER, SYFW800-02P [E, UK]
CN63	9A06674400	WAFER
CN65	9A05894700	WAFER, 5P
CN66	9A05329100	WAFER, MOLEX 5267-03A
CN67	9A06785000	WAFER [E, UK]
CN72	9A06676800	WAFER
C601	△ 9A08032200	C, LINE ACROSS 0.1UF250V[US, C]
C606, C607	△ 9A06862900	C, ELECT TSMK63V472
C627, C628	△ 9A06227000	C, ELECT A1VH102E
D505, D506	9A05193600	DIODE, ZENER MTZJ15BT
D545, D546	9A01390500	DIODE, 1N4148MT
D601	△ 9A05353100	DIODE, PBPC604F
D602	△ 9A05987000	DIODE, W02GF
D603-D606	△ 9A05194700	DIODE, 1N4003ST
D607	9A06765300	DIODE, ZENER MTZJ5. 6BT
D608	9A06317000	DIODE, ZENER MTZJ30BT
D609	9A06236200	DIODE, ZENER MTZJ6. 2BT
D631, D651	9A06765200	DIODE, ZENER MTZJ13BT
D661	9A01390500	DIODE, 1N4148MT
F601	9A05328200	HOLDER, FUSE
IC61	△ 9A06674800	IC, MC7806
IC62	△ 9A05196000	IC, KA7812-ABTU
JK51	9A08742100	TERMINAL, SP
JK52	9A06864000	JACK, BOARD
L537, L538	9A04875100	COIL
Q501-Q504	9A05341600	TR, KSA992-FTA
Q513-Q516	9A03745000	TR, KSC2785-YTA
Q517, Q518	△ 9A08745700	TR, KTC2026Y
Q529, Q530	△ 9A05196800	TR, KSC2316-Y-SHTA
Q531, Q532	△ 9A05196700	TR, KSA916-Y-SHTA
Q533, Q534	△ 9A05359800	TR, KTD9980
Q535, Q536	△ 9A05359700	TR, KTB7780
Q537-Q540	9A08744000	TR, KTC2874BT
Q541, Q542	9A03745000	TR, KSC2785-YTA
Q603	9A03745000	TR, KSC2785-YTA
Q604, Q605	9A03745100	TR, KSA1175-YTA
Q606	9A03745000	TR, KSC2785-YTA
Q607	△ 9A05196700	TR, KSA916-Y-SHTA
Q608	△ 9A05196800	TR, KSC2316-Y-SHTA
Q631	9A03745200	TR, KSR2206TA
Q632	9A05196800	TR, KSC2316-Y-SHTA
Q633, Q641	9A05196900	TR, KSR1206TA
Q642	9A05196700	TR, KSA916-Y-SHTA
Q643, Q661	9A03745200	TR, KSR2206TA
Q662	9A05196900	TR, KSR1206TA

MAIN PCB ASSY

REF. NO.	PARTS NO.	DESCRIPTION
Q663	9A03745000	TR, KSC2785-YTA
Q664	9A01387400	TR, KSA733CYT
Q665, Q666	9A08744000	TR, KTC2874BT
Q667	9A03745200	TR, KSR2206TA
Q668, Q669	9A03745000	TR, KSC2785-YTA
Q670, Q671	9A03745200	TR, KSR2206TA
RY51	△ 9A04879000	RELAY, OSA-SS-212DM3
R531, R532	△ 9A06234600	R, METAL OXIDE FILM
R533-R536	△ 9A06677400	R, CEMENT 5EKR22
R537, R538	△ 9A05896400	R, 4.7 OHM 1W
R557, R558	△ 9A05338200	R, METAL OXIDE FILM 1W 390
R621-R623	△ 9A06760900	R, FUSE 0.47 J 1W
R661	△ 9A07309900	R, FUSE 1AJ100H
R666	△ 9A06761000	R, CARBON 3.3M K 1/2W [US, C]

FRONT PCB ASSY

REF. NO.	PARTS NO.	DESCRIPTION
	9A08739100	FRONT PCB ASSY [US, C]
	9A08739110	FRONT PCB ASSY [E, UK]
	9A08740300	PCB, FRONT
	9A07290000	BRACKET, FLT
	9A07290100	SUPPORT, LED
CB75	9A05991600	TERMINAL
CB76	9A05991500	TERMINAL
CN32	9A05938500	WAFER, 3P
CN71	9A08220000	WAFER, CARD CABLE
CN74	9A05329700	WAFER, MOLEX53014-0610
CN75	9A05968500	WAFER
CN76	9A05968400	WAFER
D701-D703	9A01390500	DIODE, 1N4148MT
D704-D710	9A08131100	LED, YELLOW
FIP1	9A08034600	F. I. P
IC31	9A05195800	IC, MC4558S
IC71	9A06786000	IC, TMP87PM78F
IC72	9A08740200	SENSOR, REMOCON
IC73	9A06904500	IC, 74HC138D
JK71	9A06861800	JACK, HEADPHONE
Q301, Q302	9A03747300	TR, KSB811-YTA
Q303, Q304	9A03811700	TR, KSD1021-YTA
Q701	9A03745200	TR, KSR2206TA
Q702	9A05196900	TR, KSR1206TA
Q703	9A03745200	TR, KSR2206TA
Q704	9A03747300	TR, KSB811-YTA
Q705, Q707	9A05196900	TR, KSR1206TA
Q706, Q708	9A03745200	TR, KSR2206TA
SW61	9A06784700	SW, PUSH [E, UK]
S701-S707	9A06671200	SW, TACT
VR31	9A06862200	VOLUME, MOTOR
VR71, VR72	9A06673000	R, VARIABLE 02C104Y
VR73	9A06673100	R, VARIABLE 03B104Y
VR74	9A06224700	VR, ENCODOR
X701	9A05193000	CRYSTAL
Z701	9A05358800	R, NETWORK SN7X103J

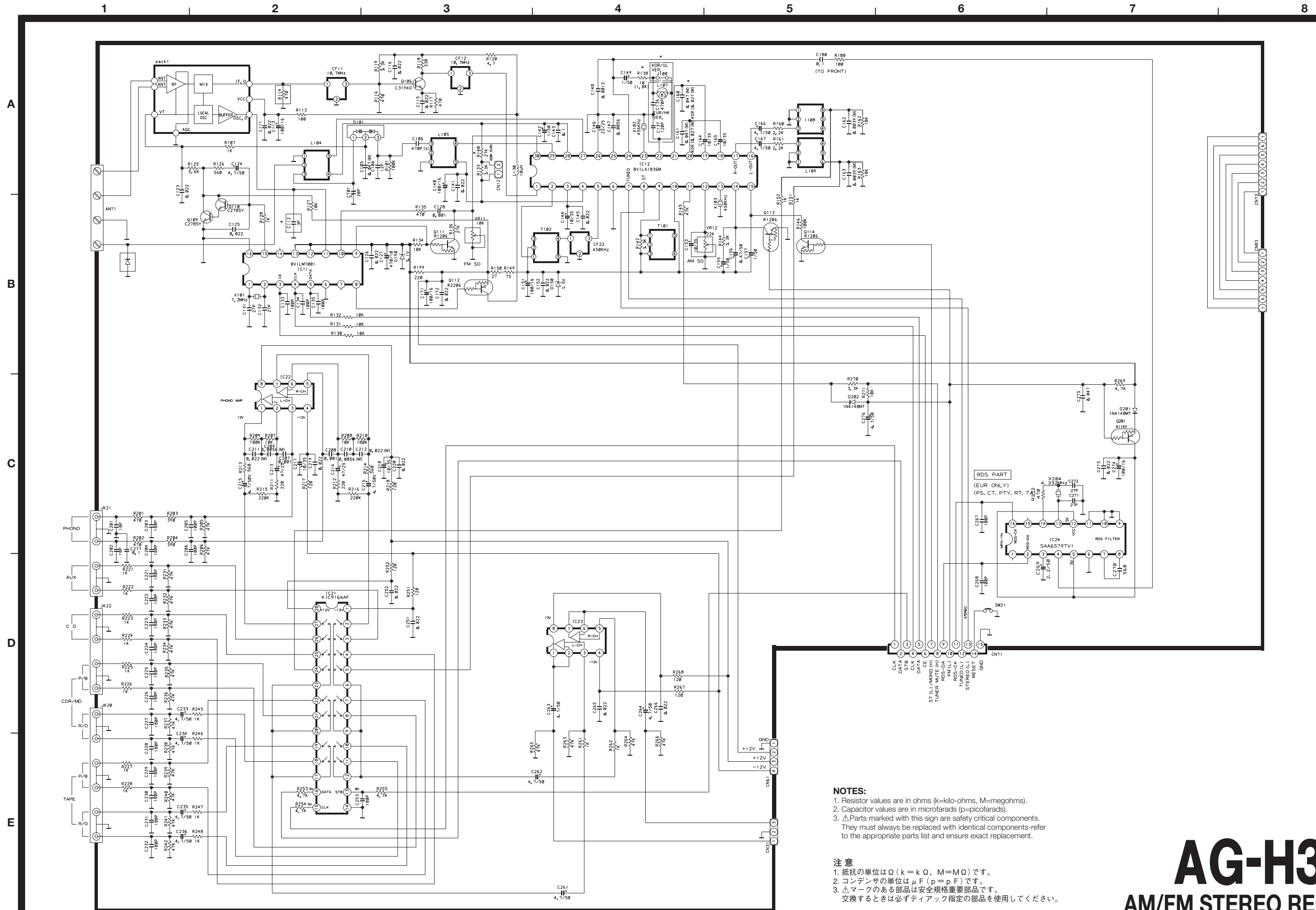
TUNER PCB ASSY

REF. NO.	PARTS NO.	DESCRIPTION
	9A08741000	TUNER PCB ASSY [US, C]
	9A08741010	TUNER PCB ASSY [E, UK]
	9A08741600	PCB, TUNER
	9A08046400	PACK, TUNER [US, C]
	9A08038500	FRONT-END [E, UK]
ANT1	9A08045800	TERMINAL, ANT [US, C]
ANT1	9A07491300	TERMINAL, ANT [E, UK]
CF11, CF12	9A06544600	FILTER, CERAMIC E107MSHAT
CF22	9A07006300	FILTER, CERAMIC PBF450JR3
CN12	9A05328900	WAFER, MOLEX 5267-02A
CN31	9A05938500	WAFER, 3P
CN61	9A05356300	WAFER
CN71	9A08220000	WAFER, CARD CABLE
CN73, CN83	9A05356500	WAFER, MOLEX53014-0710
CT01	9A01405900	C, VARIABLE 20PF
D101	9A06767400	DIODE, VARICAP
D150	9A05194200	DIODE, ZENER MTZJ7.5AT
D190	9A05194000	DIODE, ZENER MTZJ5.1BT
D201	9A01390500	DIODE, 1N4148MT [E, UK]
D202	9A01390500	DIODE, 1N4148MT
IC11	9A04323300	IC, LM7001
IC12	9A06767500	IC, LA1836M
IC21	9A07424700	IC, KIC9164AF
IC22, IC23	9A07343300	IC, NJM2068MD-TE1
IC24	9A08033400	IC, SAA6579T/V1 [E, UK]
JK20	9A06674900	JACK, BOARD
JK21, JK22	9A06675000	JACK, BOARD
L104	9A08037200	COIL, MW ANT
L105	9A05332500	COIL, AM OSC
L107	9A05332600	COIL [E, UK]
L108, L109	9A07425800	COIL, MPX
L130	9A05356900	COIL, AXAIL 10UH K
Q106	9A08040800	TR, KVTKTC31940T
Q109, Q110	9A03745000	TR, KSC2785-YTA
Q111	9A05196900	TR, KSR1206TA
Q112	9A03745200	TR, KSR2206TA
Q113, Q114	9A05196900	TR, KSR1206TA
Q201	9A03745200	TR, KSR2206TA [E, UK]
SW21	9A04882400	SW, TACT
T101	9A06762200	IFT, FM
T102	9A05939400	IFT, AM
VR11	9A08040600	R, SEMI FIXED 10K
VR12	9A08040700	R, SEMI FIXED 22K
X101	9A06762300	CRYSTAL
X102	9A05317200	RESONATOR, CERAMIC CSB456F
X103	9A05940600	RESONATOR, BFU450C4N
X204	9A06785200	CRYSTAL [E, UK]

INCLUDED ACCESSORIES

REF. NO.	PARTS NO.	DESCRIPTION	REMARKS
	9A08523600	OWNER' S MNL [US, C]	
	9A08523700	OWNER' S MNL [E, UK]	
	9A08746600	REMOTE CONTROL UNIT [US, C]	
	9A08746610	REMOTE CONTROL UNIT [E, UK]	
	9A08046100	ADAPTOR, 75-300 [US, C]	
	9A08746200	ANT, FM T [US, C]	
	9A04883100	ANT, FM WIRE [E, UK]	
	9A08561100	AM LOOP ANTENNA ASSY	

TEAC SCHEMATIC DIAGRAM AG-H300



NOTES:
 1. Resistor values are in ohms (k=kilo-ohms, M=megohms).
 2. Capacitor values are in microfarads (p=picofarads).
 3. Δ Parts marked with this sign are safety critical components. They must always be replaced with identical components-refer to the appropriate parts list and ensure exact replacement.

注意
 1. 抵抗の単位は Ω (k=k Ω , M=M Ω) です。
 2. コンデンサの単位は μF (p=pF) です。
 3. Δ マークのある部品は安全規格重要部品です。交換するときは必ずテック指定の部品を使用してください。

AG-H300

AM/FM STEREO RECEIVER

TEAC SCHEMATIC DIAGRAM AG-H300

1 2 3 4 5 6 7 8

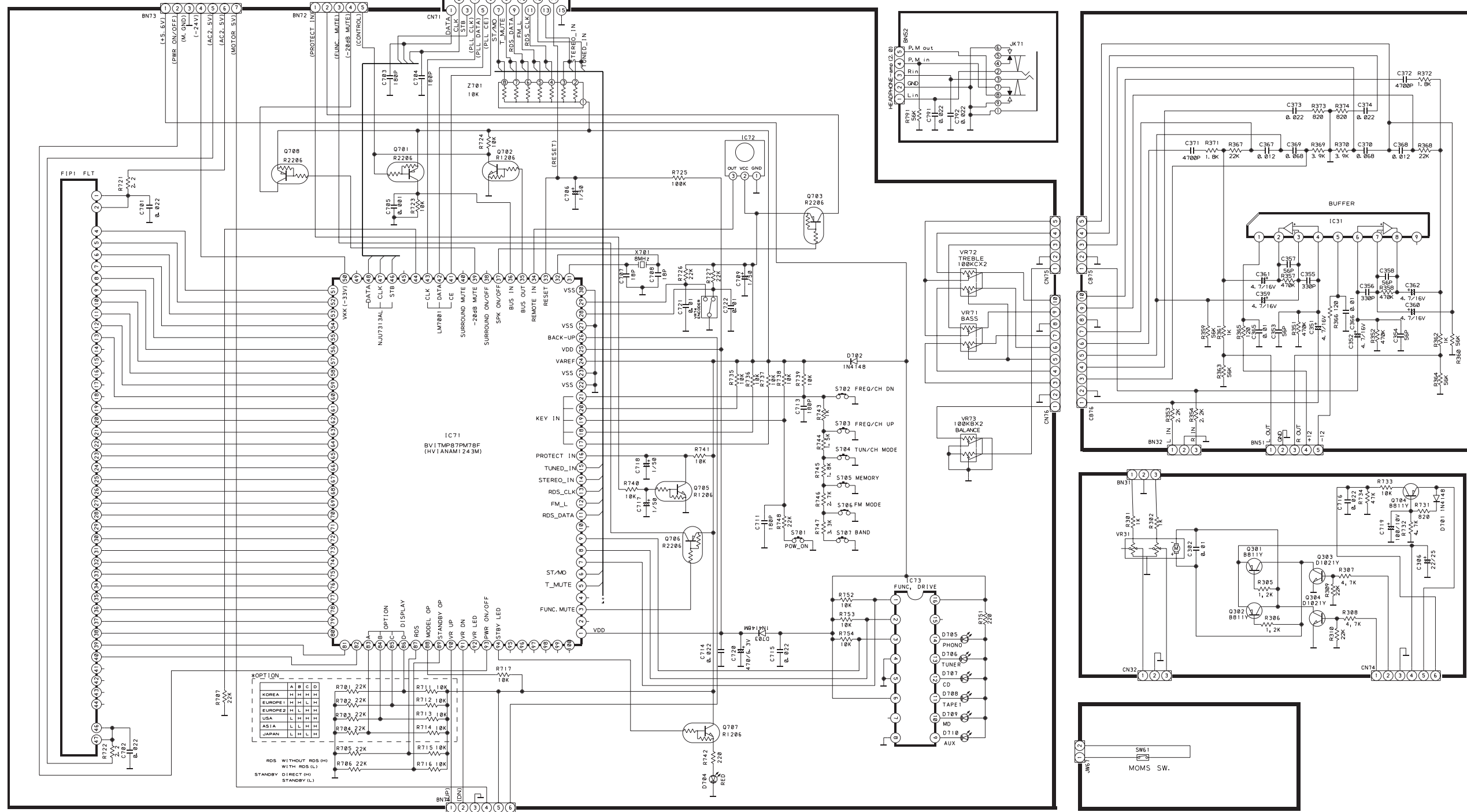
A

B

C

D

E



INSTRUCTIONS FOR SERVICE PERSONNEL
 BEFORE RETURNING APPLIANCE TO THE CUSTOMER, MAKE LEAKAGE-CURRENT OR RESISTANCE MEASUREMENTS TO DETERMINE THAT EXPOSED PARTS ARE ACCEPTABLY INSULATED FROM THE SUPPLY CIRCUIT.

NOTES:
 1. Resistor values are in ohms (k=kilo-ohms, M=megohms).
 2. Capacitor values are in microfarads (p=picofarads).
 3. Δ Parts marked with this sign are safety critical components. They must always be replaced with identical components—refer to the appropriate parts list and ensure exact replacement.

注意
 1. 抵抗の単位は Ω (k=k Ω , M=M Ω) です。
 2. コンデンサの単位は μF (p=pF) です。
 3. Δ マークのある部品は安全規格重要部品です。交換するときは必ずティアック指定の部品を使用してください。

AG-H300

AM/FM STEREO RECEIVER

1st Issue; June 2001

TEAC SCHEMATIC DIAGRAM AG-H300

1 2 3 4 5 6 7 8

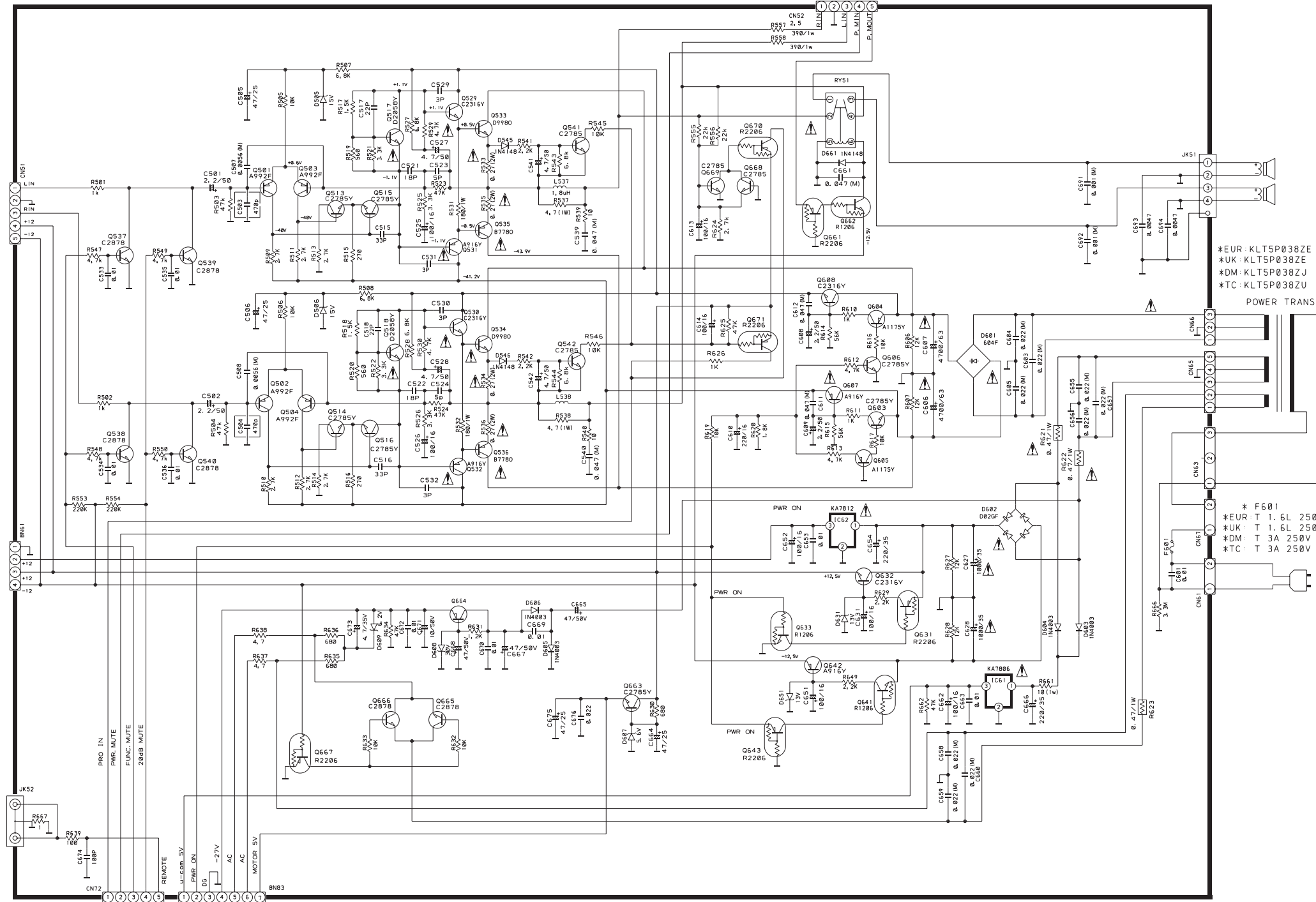
A

B

C

D

E



*EUR: KLT5P038ZE
 *UK: KLT5P038ZE
 *DM: KLT5P038ZJ
 *TC: KLT5P038ZU

POWER TRANS

* F601
 *EUR: T 1.6L 250V
 *UK: T 1.6L 250V
 *DM: T 3A 250V
 *TC: T 3A 250V

INSTRUCTIONS FOR SERVICE PERSONNEL
 BEFORE RETURNING APPLIANCE TO THE CUSTOMER, MAKE LEAKAGE-CURRENT OR RESISTANCE MEASUREMENTS TO DETERMINE THAT EXPOSED PARTS ARE ACCEPTABLY INSULATED FROM THE SUPPLY CIRCUIT.

NOTES:
 1. Resistor values are in ohms (k=kilo-ohms, M=megohms).
 2. Capacitor values are in microfarads (p=picofarads).
 3. Δ Parts marked with this sign are safety critical components. They must always be replaced with identical components—refer to the appropriate parts list and ensure exact replacement.

注意
 1. 抵抗の単位は Ω (k=k Ω , M=M Ω) です。
 2. コンデンサの単位は μF (p=pF) です。
 3. Δ マークのある部品は安全規格重要部品です。交換するときは必ずティアック指定の部品を使用してください。

AG-H300

AM/FM STEREO RECEIVER